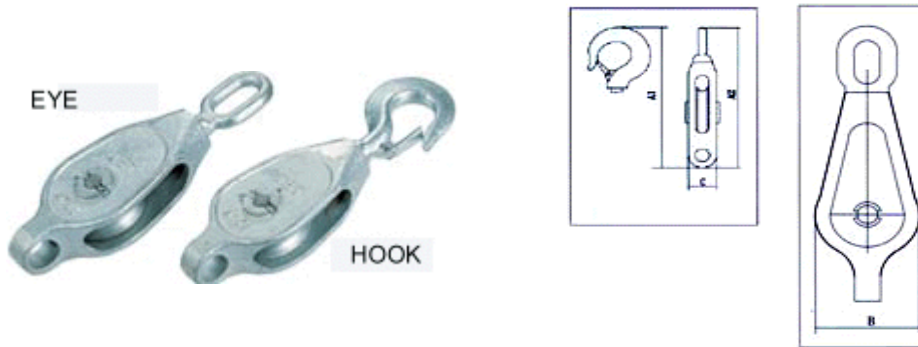
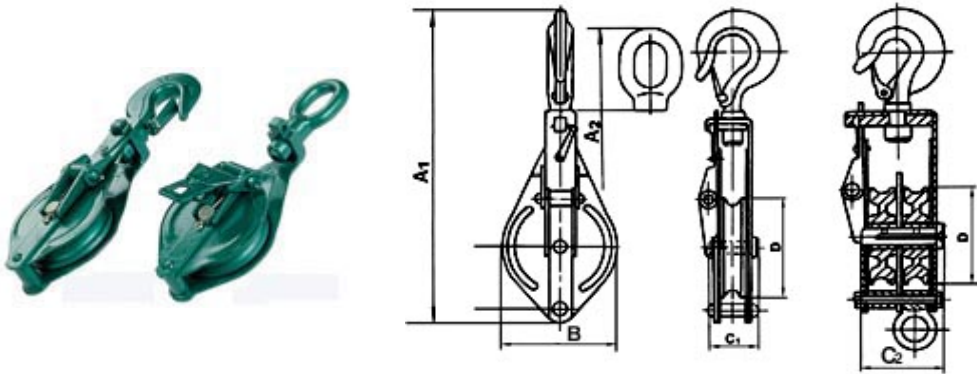


MALLEABLE IRON BLOCK, H.D.G. MI TYPE



ITEM	TYPE	S.W.L.(TON)	HOOK	EYE	B	C	FOR ROPE DIA (mm)	WEIGHT kg
			A1	A2				
			m m					
MI-075021	3"x1	0.2	203	164	57	39	12	0.9
MI-075042	3"x2	0.4	203	164	60	62	12	0.9
MI-100041	4"x1	0.4	262	232	76	45	16	1.2
MI-100092	4"x2	0.9	262	232	76	70	16	2.1
MI-100103	4"x3	1	262	232	76	83	16	2.6
MI-125051	5"x1	0.5	278	270	92	49	18	2.0
MI-125112	5"x2	1.1	280	272	92	74	18	3.0
MI-125153	5"x3	1.5	280	272	92	100	18	4.0
MI-150101	6"x1	1	346	340	112	60	24	3.5
MI-150202	6"x2	2	346	340	112	102	24	6.2
MI-175111	7"x1	1.1	388	35	62	64	28	5.1
MI-175232	7"x2	2.3	388	350	128	101	28	7.6
MI-200131	8"x1	1.3	415	390	163	68	30	7.6
MI-200262	8"x2	2.6	415	390	163	111	30	11.3
MI-225151	9"x1	1.5	450	420	180	75	32	11.4
MI-225302	9"x2	3	450	420	180	123	32	16.8
MI-250181	10"x1	1.8	492	460	200	75	34	13.4
MI-250302	10"x2	3	492	460	200	117	34	19.3

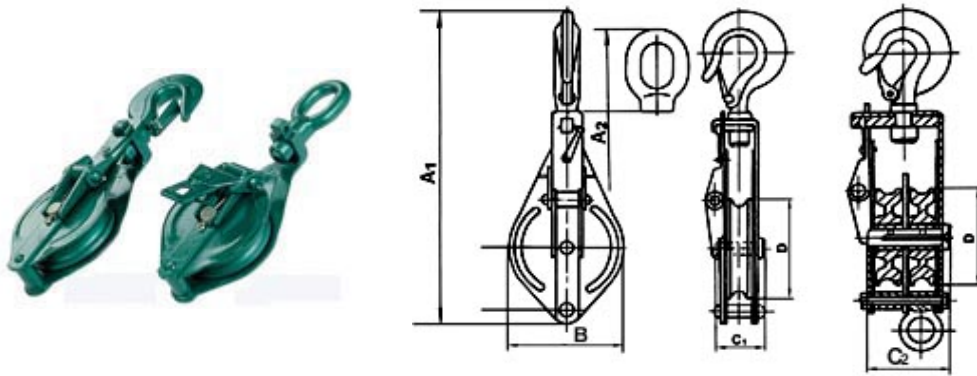
SINGLE SHEAVE SNATCH BLOCKS, HS & ES TYPE



- SAFETY FACTOR: 4:1
- HOOK (HS TYPE) OR EYE (ES TYPE)
- SINGLE SHEAVE

TYPE		S.W.L	SHEAVE DIA	MAIN DIMENSIONS (mm)				WIRE ROPE SIZE	WEIGHT
HOOK	EYE	TON	D(mm)	HOOK A1	EYE A2	B	C1	MM	kg
HS-075005	ES-075005	0.5	75	268	227	87	50	8	1.5
HS-100010	ES-100010	1	100	311.5	284.5	112	55.5	10	2.6
HS-125015	ES-125015	1.5	125	370	344	140	63.5	13	4.8
HS-150020	ES-150020	2	150	442.5	417	168	101	16	7.4
HS-180030	ES-180030	3	180	498	478	204	107	19	11.9
HS-200040	ES-200040	4	200	590.5	556	226	128	22	20.4
HS-250050	ES-250050	5	250	706.5	651	276	147	25	33
HS-300060	ES-300060	6	300	795	775	330	162	26	48
HS-350100	ES-350100	10	350	934	898	395	178	28	66

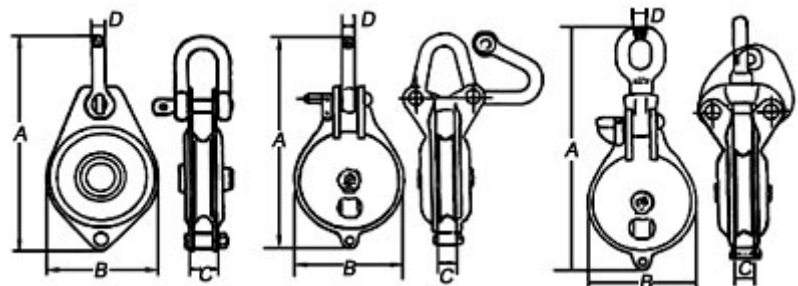
DOUBLE SHEAVE SNATCH BLOCKS, HD & ED TYPE



- SAFETY FACTOR: 4:1
- HOOK (HD TYPE) OR EYE (ED TYPE)
- DOUBLE SHEAVE

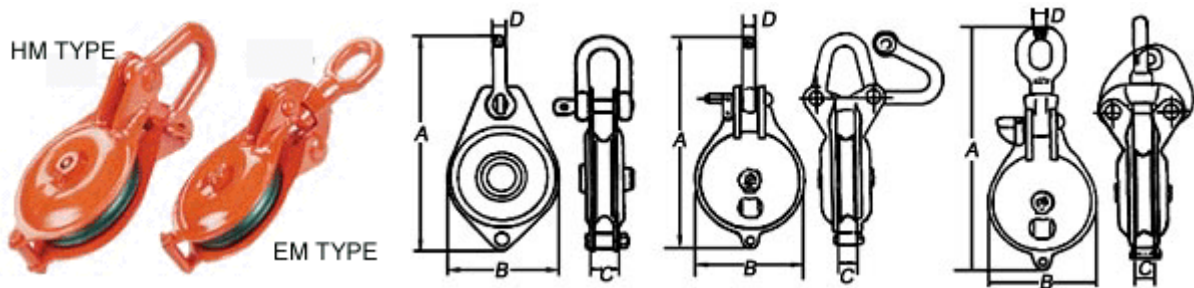
TYPE		S.W.L	SHEAVE DIA	MAIN DIMENSIONS (mm)				WIRE ROPE SIZE	WEIGHT
HOOK	EYE	TON	D(mm)	HOOK A1	EYE A2	B	C2	MM	kg
HD-075005	ED-075005	0.5	75	268	227	87	77	8	2.8
HD-100010	ED-100010	1	100	311.5	284.5	112	88	10	4.3
HD-125015	ED-125015	1.5	125	370	344	140	100	13	7.8
HD-150020	ED-150020	2	150	442.5	417	168	146	16	12.2
HD-180030	ED-180030	3	180	498	478	204	157	19	18.5
HD-200040	ED-200040	4	200	590.5	556	226	188	22	31
HD-250050	ED-250050	5	250	706.5	651	276	220	25	49.8
HD-300060	ED-300060	6	300	795	775	330	238	26	72
HD-350100	ED-350100	10	350	934	898	395	260	28	102

MARINE STEEL BLOCK, HM TYPE



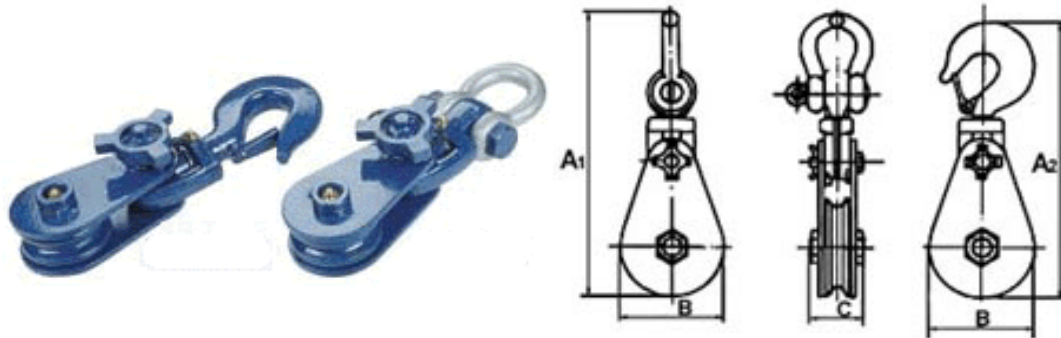
TYPE	SHEAVE DIA	S.W.L (TON)	MAIN DIMENSIONS (mm)				FOR WIRE DIA (mm)	WEIGHT (kg)
			A	B	C	D		
HM-075005	75	0.5	178	85	26	12	8	1.1
HM-100010	100	1	235	121	34	16	8	1.8
HM-125015	125	1.5	305	145	38	18	9	3.5
HM-150020	150	2	350	180	41	22	12	5.1
HM-200040	200	4	425	225	46	28	16	11.5
HM-250050	250	5	495	275	60	28	22	17
HM-075005-2	75	0.5	178	85	50	12	8	1.8
HM-100010-2	100	1	235	121	61	16	8	2.8
HM-125015-2	125	1.5	305	145	73	18	9	5.5
HM-150020-2	150	2	350	180	83	22	12	8.5
HM-200040-2	200	4	425	225	93	28	16	16.5
HM-250050-2	250	5	495	275	115	28	22	25.5

MARINE STEEL BLOCK, EM TYPE



TYPE	SHEAVE DIA	S.W.L(TON)	MAIN DIMENSIONS (mm)				FOR WIRE DIA (mm)	WEIGHT (kg)
			A	B	C	D		
EM-075005	75	0.5	230	85	26	12	8	1.5
EM-100010	100	1	285	121	34	16	8	1.9
EM-125015	125	1.5	346	145	38	18	9	3.6
EM-150020	150	2	419	180	41	22	12	6.0
EM-200040	200	4	517	225	46	28	16	12.5
EM-250050	250	5	655	275	60	28	22	16
EM-075005-2	75	0.5	230	85	50	12	8	2.1
EM-100010-2	100	1	285	121	61	16	8	3.0
EM-125015-2	125	1.5	335	145	73	18	9	5.9
EM-150020-2	150	2	365	180	83	22	12	9.0
EM-200040-2	200	4	517	225	93	28	16	17.5
EM-250050-2	250	5	600	275	115	28	22	28.6

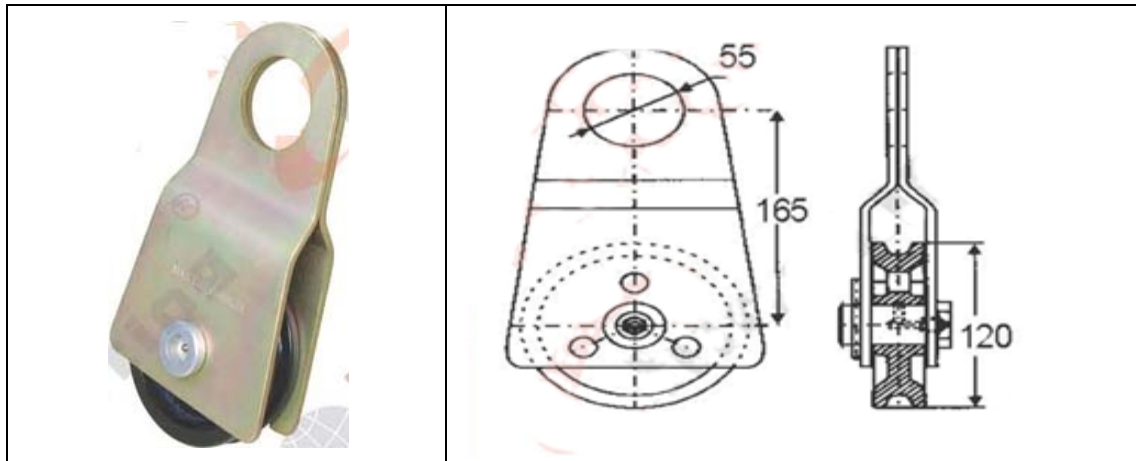
HEAVY DUTY SNATCH BLOCK, SB & HB TYPE



- SAFETY FACTOR: 4:1
- SHACKLE (SB TYPE) OR HOOK (HB TYPE)
- DROP FORGED WHEEL

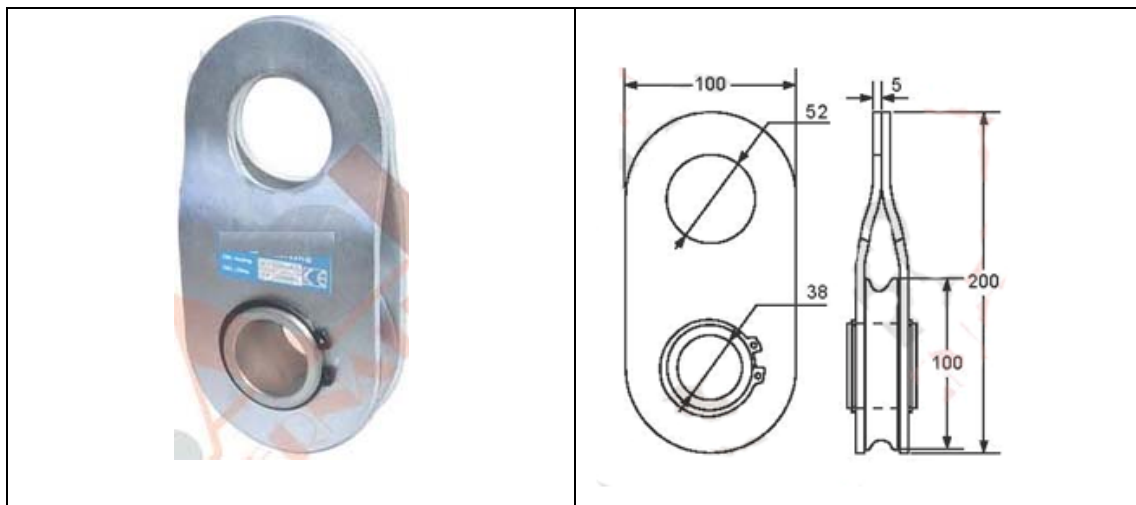
TYPE		S.W.L	SHEAVE DIA	SHACKLE A1	HOOK A2	B	C	WIRE ROPE SIZE	WEIGHT	
		TON	mm							kg
SB-07502	HB-07502	2	75	286	292	82	70	7-9	4	
SB-11504	HB-11504	4	115	345	358	120	70	10-12	6.1	
SB-15004	HB-15004	4	150	399	412	160	70	16-18	13.8	
SB-15008	HB-15008	8	150	475	498	160	93	20-22	14.4	
SB-20008	HB-20008	8	200	528	549	210	93	20-22	16	
SB-20015	HB-20015	15	200	663	672	230	102	22-24	24	
SB-25010	HB-25010	10	250	679	695	260	115	24-26	37.5	
SB-25012	HB-25012	12	250	679	701	260	115	24-26	42	
SB-30012	HB-30012	12	300	767	797	310	133	24-26	56	
SB-30015	HB-30015	15	300	884	797	365	133	26-28	65	
SB-35522	HB-35522	22	355	952	960	365	140	28-32	90	
SB-40022	HB-40022	22	400	1019	1027	415	140	28-32	108	
SB-40030	HB-40030	30	400	1126	1085	415	155	32-35	135	
SB-50030	HB-50030	30	500	1256	1177	514	162	32-35	210	

Off-road Block



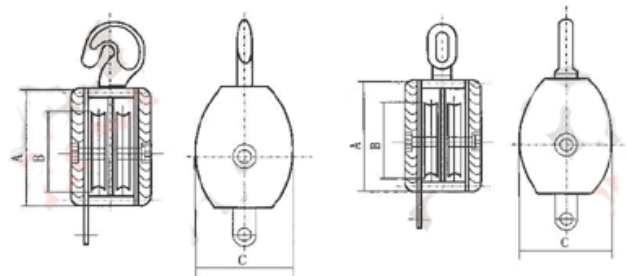
ITEM NO	S.W.L	WIRE
	kg	ROPE DIA.
01456	8000	11mm

Steel Pulley



ITEM NO.		01460
Size	Inch	4
S.W.L	kg	3400
WIRE ROPE DIA.	mm	8-9

Wooden Block



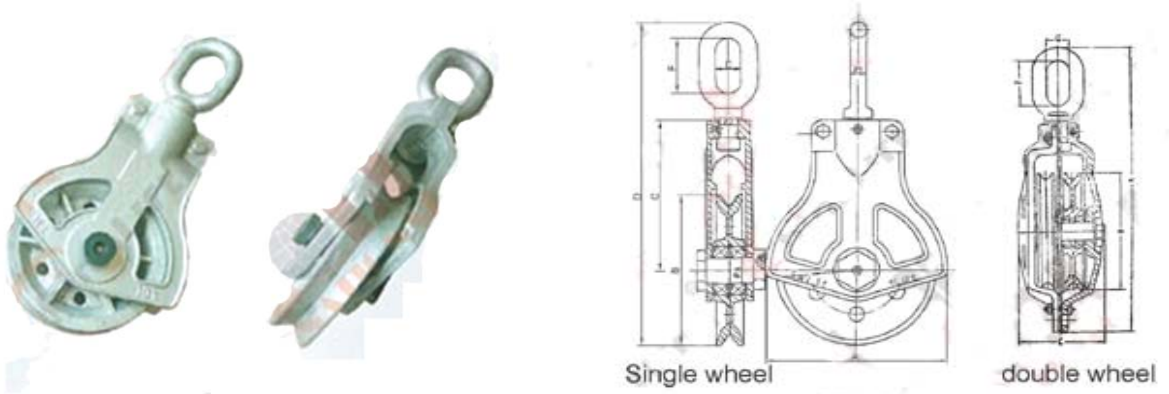
(HOOK)

(EYE)

Wheel Quantity 1 or 2 or 3 is Available
Hook or Eye

ITEM NO		WHEEL SIZE	WHEEL QUANTITY	A	B	C
01621		4"	1	100	60	80
	(A)	4"	2	100	60	80
01622		6"	1	156	96	116
	(A)	6"	2	156	96	116
01623		7"	1	180	108	128
	(A)	7"	2	180	108	128
	(B)	7"	3	180	108	128
01624		8"	1	196	120	140
	(A)	8"	2	196	120	140
	(B)	8"	3	196	120	140
01625		9"	1	230	138	158
	(A)	9"	2	230	138	158
	(B)	9"	3	230	138	158
01626		10"	1	260	156	180
	(A)	10"	2	260	156	180
	(B)	10"	3	260	156	180
01627		12"	1	300	180	200
	(A)	12"	2	300	180	200
	(B)	12"	3	300	180	200

Trawl Block



- 1.Safety factor: 4 times
- 2.Single or double wheel

ITEM NO		01628	01629
CAPACITY		5t	10t
A	mm	O172	O340
B	mm	O148	O300
C	mm	198	325
D	mm	422	684
E	mm	38	67
F	mm	85	112
O1	mm	26	35
O2	mm	25	46
O3	mm	25	50

Regular Wood Block With Hook



Item No.	SINGLE(A)	DOUBLE(B)	TRIPLE(C)	SIZE	DIA. OF?
	S. W. L	S. W. L	S. W. L		ROPE
	(LBS)	(LBS)	(LBS)	(IN)	(IN)
01661A/B/C	500	800	1200	3	3/8
01662A/B/C	1000	1400	1800	4	1/2
01663A/B/C	1200	1800	2400	5	5/8
01664A/B/C	1800	2500	3200	6	3/4
01665A/B/C	2800	3800	4800	8	1
01666A/B/C	4000	6000	8000	10	1 1/8
01667A/B/C	5000	8000	10000	12	1 1/4