



HW-A TYPE



HW-AB TYPE

HAND WINCH, HW-A TYPE

ITEM	S.W.L.	Wire Rope Size (MM)	Wire Rope Length (M)	No. of layers of wire ropes	Net Weight (kg)
HWA-500	500 Kg	6.8	25	4	17

HAND WINCH, HW-AB TYPE

ITEM	S.W.L.	Wire Rope Size (MM)	Wire Rope Length (M)	No. of layers of wire ropes	Net Weight (kg)
HWAB-250	250 Kg	5	20	4	10
HWAB-500	500 Kg	6.8	25	4	16
HWAB-1000	1000 Kg	9	35	4	40

HAND WINCH, HW-B TYPE



600LBS - 1400LBS



2000LBS - 2500LBS

ITEM	Capacity (lbs)	Speed	Test Load (KN)	Gear Ratio	Packing (cm)	Weight (kg)
HWB-600	600	1	4	2.9:1	17 x 13 x 21	2.5
HWB-800	800	1	5.34	3.7:1	17 x 13 x 21	2.6
HWB-1000	1000	1	6.67	4.2:1	17 x 13 x 21	2.8
HWB-1200	1200	1	8	4.2:1	17 x 13 x 21	2.8
HWB-1400	1400	1	9.34	4.2:1	17 x 13 x 21	2.8
HWB-2000	2000	2	13.35	10.35:1/4.5:1	21 x 21 x 27	6.2
HWB-2500	2500	2	16.68	11.5:1/5:1	21 x 21 x 27	6.5

HAND WINCH, HW-C TYPE



HAND WINCH
NO ROPE, HOOK



HAND WINCH
WITH WEBBING & HOOK



HAND WINCH
WITH CABLE WIRE & HOOK

ITEM	Capacity (kg)	Test Load (KN)	Gear Ratio	Packing (cm)	Weight (kg)
HWC-550	550	8	4.2:1	16 x 16 x 22	3.7
HWC-850	850	12.13	5:1	35 x 20 x 23	7.7
HWC-1200	1200	17.64	10:1	35 x 24 x 24	10.1

HAND WINCH, HW-D TYPE




ITEM	Capacity (lbs)	Wire Rope Dia. (mm)	Wire Rope Length (m)	Packing (cm)	Net Weight (kg)
HWD-1000	1000	4.5	10	50 x 26 x 22	18
HWD-1200	1200	5	10	50 x 26 x 22	23

WINCH BAR

	<p>ITEM: CSWB-1 Chrome Standard Winch Bar</p>
	<p>ITEM: CSWB-2 Chrome Combination Winch Bar</p>
	<p>ITEM: CSWB-3 Painted Standard Winch Bar</p>
	<p>ITEM: CSWB-4 Painted Combination Winch Bar</p>

CARGO BAR

	
<p>Item: CBA-1 Aluminum Cargo Bar</p>	<p>Item: CBA-2 Steel Cargo Bar</p>

TRUCK WINCH

	<p>ITEM NO.:TWS100 Weld-on Winch A: 204MM B: 124MM C: 140MM D: 90MM</p>	
	<p>ITEM NO.:TWB100 Bolt-on Winch A: 204MM B: 124MM C: 140MM D: 90MM</p>	
	<p>ITEM NO.:TWT100 Sliding Winch A: 204MM B: 124MM C: 175MM D: 100MM</p>	
<p>TW416</p>	<p>TW401</p>	<p>TW410Z</p>
<p>TW412H</p>	<p>TW430</p>	<p>TW413</p>
<p>TW411</p>	<p>TW402</p>	<p>TW1860</p>

<p>TW1860P</p> 	<p>TW433</p> 	<p>TW432</p> 
<p>TW414</p> 	<p>TW445</p> 	<p>TW421H</p> 
<p>TW421</p> 	<p>TW419N</p> 	<p>TW419</p> 
<p>TW420N</p> 	<p>TW420</p> 	<p>TW419D</p> 
<p>TW437B</p> 	<p>TW426</p> 	<p>TW427</p> 
<p>TW415</p> 	<p>TW1890</p> 	<p>TW415LL</p> 

LASHING WINCH

TW200



TW200A



TW201



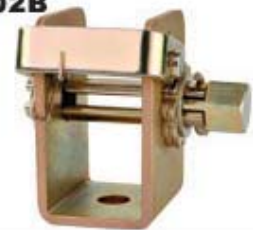
TW201A



TW202



TW202B



W5-1



CW5B-2S



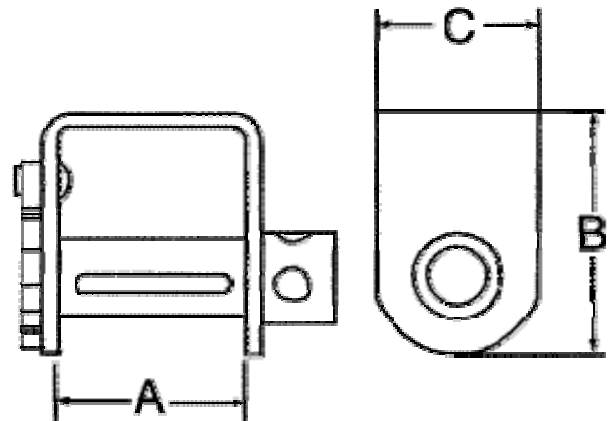
CW5-1S



CW5-2S



Slide-on Truck Winch



SLIDE-ON TRUCK WINCH

A=205mm B=158mm C=100mm

Lashing Capacity 2000 Kgs 9 metre x 50mm
replacement straps
comply to AS/NZS4380.2001

SD Model Wire Grip

SD MODEL WIRE GRIP



Model	S.W.L. (KG)	Grip Range Dia.(MM)	Packing dimension (MM)	Qty/Ctn (PCS)	Net Weight (KG)
SD-500C	500	1.0-10	185 x 170 x 130	10	0.40
SD-1000C	1000	2.6-15	240 x 210 x 140	10	0.76
SD-2000C	2000	4.0-22	270 x 260 x 110	5	1.35
SD-3000C	3000	16 - 32	370 x 350 x 180	5	2.30

PD SERIES HAND WINCH



Hand winch without steel wire rope or colour belt

Model	Capacity Rating (lbs/kgs)	Gear Ratio	Handle Length (mm)	Hub Size Dia (mm)	size of wire rope (mm)	Size of color belt	qty/ctn (pcs)	weight (g.w./n.w.)	Dimension (cm)
PD06	600/250	3.1:1	165	φ16	φ4.2	1.0x50	6	13/11	59x26x16
PD08	800/350	3.1:1	175	φ16	φ4.2	1.0x50	6	14.5/12.5	59x26x16
PD10	1000/450	4.1:1	200	φ18	φ4.5	1.2x50	6	18/16	66x27x18
PD12	1200/540	4.1:1	225	φ18	φ4.5	1.4x50	6	18.5/16.5	66x27x19
PD14	1400/620	4.57:1	225	φ18	φ4.5	1.6x50	6	19/17	67x27x19
PD16	1600/720	5.1:1	225	φ20	φ4.8	1.6x50	4	15/13	46x31x20
PD18	1800/800	4.1:1&9.8:1	250	φ20	φ4.8	1.8x50	4	18/16	52x31x20
PD20	2000/900	4.1:1&9.8:1	250	φ20	φ5	1.8x50	4	19/17	52x31x20
PD20B	2000/900	4.1:1&9.8:1	250	φ42	φ5	1.8x50	4	21/18	52x31x20
PD25	2500/1100	4.1:1&9.8:1	275	φ42	φ5	2.0x50	4	22/20	54x31x22

Hand winch with steel wire rope

Model	Capacity Rating (lbs/kgs)	Gear Ratio	Handle Length (mm)	Hub Size Dia (mm)	Size of wire rope (mmxmm)	qty/ctn (pcs)	Weight (g.w./n.w.)	Dimension (cm)
PD06 A	600/270	3.1:1	165	φ16	φ4.2x8	6	15/13	59x26x16
PD08 A	800/360	3.1:1	175	φ16	φ4.2x8	6	17/15	59x26x16
PD10 A	1000/450	4.1:1	200	φ18	φ4.5x10	6	20.5/18.5	66x27x18
PD12 A	1200/540	4.1:1	225	φ18	φ4.5x10	6	21/20	66x27x19
PD14 A	1400/630	4.57:1	225	φ18	φ4.5x10	6	21.5/19.5	67x27x19
PD16 A	1600/720	5.1:1	225	φ20	φ4.8x10	4	18.5/16.5	46x31x20
PD18 A	1800/810	4.1:1&9.8:1	250	φ20	φ4.8x10	4	21.5/19.5	52x31x20
PD20 A	2000/900	4.1:1&9.8:1	250	φ20	φ5x10	4	22.5/20.5	52x31x20
PD20 BA	2000/900	4.1:1&9.8:1	250	φ42	φ5x10	4	23.5/21.5	52x31x20
PD25 A	2500/1100	4.1:1&9.8:1	275	φ42	φ5x10	4	25/23	54x31x22

Hand winch with colour belt

Model	Capacity Rating (lbs/kgs)	Gear Ratio	Handle Length (mm)	Hub Size Dia (mm)	Size of color belt	qty/ctn (pcs)	Weight (g.w./n.w.)	Dimension (cm)
PD06B	600/250	3.1:1	165	φ16	1.0x50x8m	6	13.5/11.5	59x26x16
PD08B	800/350	3.1:1	175	φ16	1.0x50x8m	6	15/13	59x26x16
PD10B	1000/450	4.1:1	200	φ18	1.2x50x8m	6	18.5/16.5	66x27x18
PD12B	1200/540	4.1:1	225	φ18	1.4x50x8m	6	19/17	66x27x19
PD14B	1400/620	4.57:1	225	φ18	1.6x50x8m	6	19.5/17.5	67x27x19
PD16B	1600/720	5.1:1	225	φ20	1.6x50x8m	4	16/14	46x31x20
PD18B	1800/800	4.1:1&9.8:1	250	φ20	1.8x50x8m	4	19/17	52x31x20
PD20B	2000/900	4.1:1&9.8:1	250	φ20	1.8x50x8m	4	20/18	52x31x20
PD20B1	2000/900	4.1:1&9.8:1	250	φ42	1.8x50x8m	4	22.5/20.5	52x31x20
PD25B	2500/1100	4.1:1&9.8:1	275	φ42	2.0x50x8m	4	22.5/20.5	54x31x22