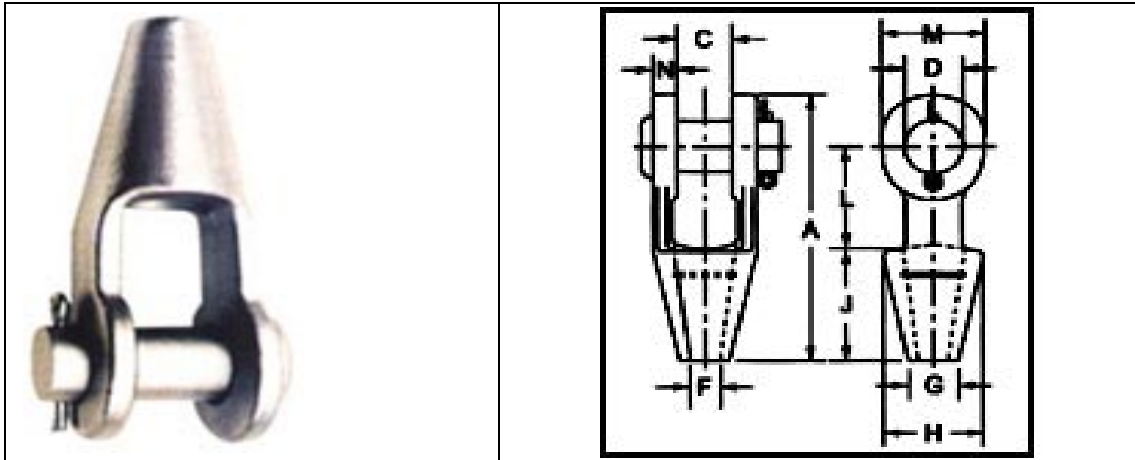
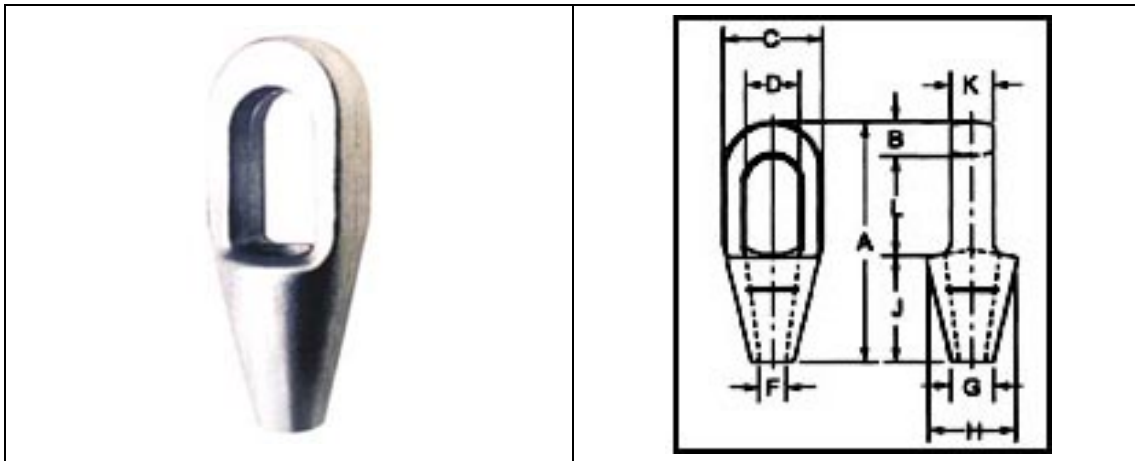


Grooved Closed Spelter Sockets



ITEM NO	Rope Dia.	Structrual Stand Dia.	Dimensions (in)									
	in		A	C	D	F	G	H	J	L	M	N
028151	1/4	-	4.56	.91	.69	.38	.69	1.56	2.25	1.56	1.31	.36
028152	5/16-3/8	-	4.84	.81	.81	.50	.81	1.69	2.25	1.75	1.50	.44
028153	7/16-1/2	-	5.56	1.00	1.00	.56	.94	1.88	2.50	2.00	1.88	.50
028154	9/16-5/8	1/2	6.75	1.25	1.19	.69	1.13	2.25	3.00	2.50	2.25	.56
028155	3/4	9/16-5/8	7.94	1.50	1.38	.81	1.25	2.62	3.50	3.00	2.62	.62
028156	7/8	11/16-3/4	9.25	1.75	1.63	.94	1.50	3.25	4.00	3.50	3.13	.80
028157	1	13/16-7/8	10.56	2.00	2.00	1.13	1.75	3.75	4.50	4.00	3.75	.88
028158	1-1/8	15/16-1	11.81	2.25	2.25	1.25	2.00	4.12	5.00	4.62	4.12	1.00
028159	1-1/4-1-3/8	1-1/16 - 1-1/8	13.19	2.50	2.50	1.50	2.25	4.75	5.50	5.00	4.75	1.13
028160	1-1/2	1-13/16 - 1-1/4	15.12	3.00	2.75	1.63	2.75	5.25	6.00	6.00	5.38	1.19

Grooved Open Spelter



ITEM NO	Rope Dia.	Structural Stand Dia.	Dimensions (in)									
	in	in	A	B	C	D	F	G	H	J	K	L
028201	1/4	-	4.50	.50	1.50	.88	.38	.69	1.56	2.25	.50	1.75
028202	5/16-3/8	-	4.88	.62	1.69	.97	.50	.81	1.69	2.25	.69	2.00
028203	7/16-1/2	-	5.44	.69	2.00	1.16	.56	.94	1.88	2.50	.88	2.25
028204	9/16-5/8	1/2	6.31	.81	2.63	1.41	.69	1.13	2.38	3.00	1.00	2.50
028205	3/4	9/16-5/8	7.56	1.06	3.00	1.66	.81	1.25	2.75	3.56	1.25	3.00
028206	7/8	11/16-3/4	8.75	1.25	3.63	1.88	.94	1.50	3.25	4.00	1.50	3.50
028207	1	13/16-7/8	9.88	1.38	4.13	2.30	1.13	1.75	3.75	4.44	1.75	4.00
028208	1-1/8	15/16-1	11.00	1.50	4.50	2.56	1.25	2.00	4.13	5.00	2.00	4.50
028209	1-1/4-1-3/8	1-1/16 - 1-1/8	12.12	1.63	6.03	2.81	1.50	2.25	4.75	5.50	2.25	5.00
028210	1-1/2	1-13/16 - 1-1/4	13.94	1.94	5.33	3.19	1.63	2.75	5.25	6.00	2.50	6.00

