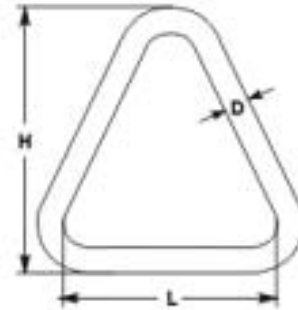


Stainless Steel Triangular Rings



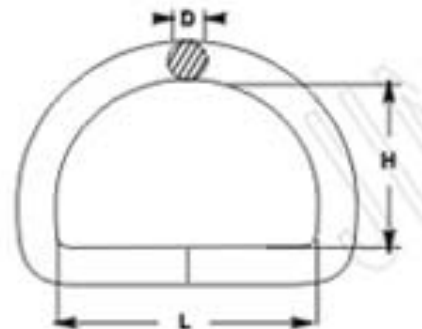
Stainless Steel Triangular Rings AISI304 OR 316

Size = Cross section (mm) / Inside diameter High strength welded rings.

Material: Marine grade 316 stainless steel.

ITEM.NO.	SIZE mm	H mm	L mm	D mm	N.W. kg/100pcs
SSTR005	5	40	35	5	2.2
SSTR006	6	50	50	6	3.85
SSTR008	8	50	50	8	7.0

Stainless Steel Dee Rings



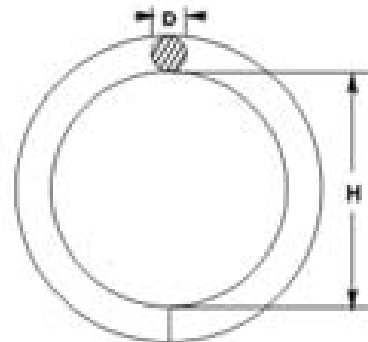
Stainless Steel Dee Rings AISI316 OR 304

Size = Cross section (mm) / Inside diameter High strength welded rings.

Material: Marine grade 316 stainless steel.

ITEM.NO.	SIZE mm	D mm	H mm	L mm	N.W. kg/100pcs
SSDR0425	4x25	4	25	22	0.97
SSDR0430	4x30	4	25	27	1.13
SSDR0440	4x40	4	30	37	1.45
SSDR0540	5x40	5	30	37	2.25
SSDR0550	5x50	5	32	47	2.68
SSDR0640	6x40	6	40	37	3.4
SSDR0650	6x50	6	50	47	4.2
SSDR0660	6x60	6	30	47	4.8
SSDR0840	8x40	8	40	37	6.3
SSDR0850	8x50	8	45	50	7.5

Stainless Steel Round Rings



Stainless Steel Round Rings AISI 316 OR 304

Size = Cross section (mm) / Inside diameter High strength welded rings.

Material: Marine grade 316 stainless steel.

ITEM.NO.	SIZE mm	D mm	H mm	N.W. kg/100pcs
SSRR0425	4x25	4	25	0.91
SSRR0430	4x30	4	30	1.07
SSRR0440	4x40	4	40	1.39
SSRR0540	5x40	5	40	2.23
SSRR0550	5x50	5	50	2.58
SSRR0640	6x40	6	40	3.27
SSRR0650	6x50	6	50	3.99
SSRR0660	6x60	6	60	4.69
SSRR0735	7x35	7	35	4.2
SSRR0840	8x40	8	40	6.06